

1

2

3

4

A

A

B

B

C

C

D

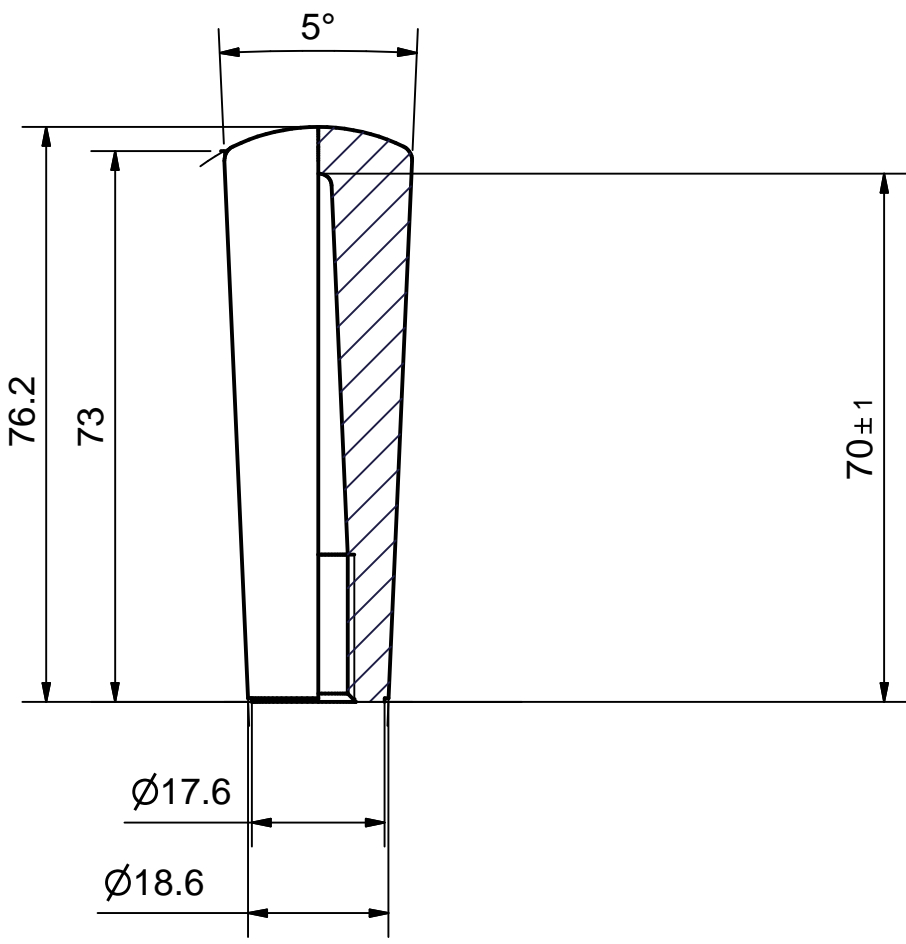
D

E

E

F

F



DESCRIPTION
 Handle long 3/8 -16 UNC
 C-TAP



©

THIS DRAWING IS THE PROPERTY OF MICRO MATIC A/S AND MUST NOT BE USED, DISCLOSED OR REPRODUCED WITHOUT PRIOR WRITTEN AUTHORITY.

1

2

3

4